

# OH! 寿司ゲーム

OH!SUSHI GAME

◆ How to Play ◆

## Game Preparation

- Apply the stickers to the proper sides of the die.



- Remove all of the wasabi stickers from the wasabi sheet.



## 1 [Skillfully stack the removed sushi on the tower without it falling over!] Sushi Tower 2 or more players

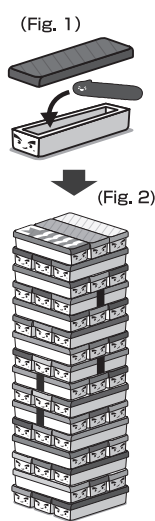
- Build the tower by stacking 48 pieces of sushi in layers. Make each layer 3 pieces of sushi. Alternate the direction of the sushi for each layer. (See Fig. 1)
- Decide which player will go first and then take turns going clockwise from that person.
- When it is your turn, roll the die to show a color. Then remove a sushi piece of that color from any layer of the tower except the top layer. Then stack the removed sushi piece on top of the tower.



Red: Tuna (maguro)  
Orange: Salmon, shrimp  
White: Squid  
Blue: Jack Mackerel (aji)  
Yellow: Egg  
Black: Sushi of your choice.

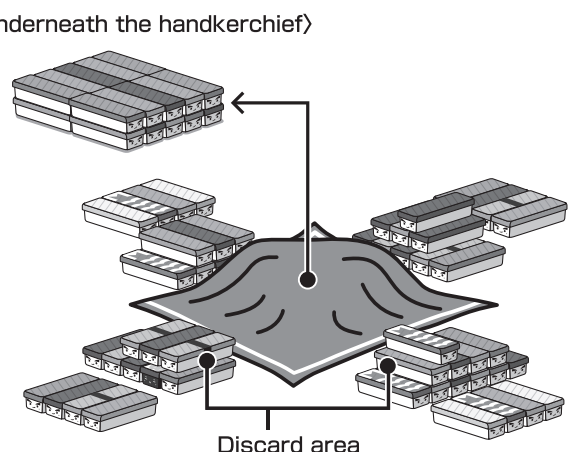
## 3 [If you lose, you have to play the Wasabi Penalty Game!] Sushi Tower with Wasabi 2 or more players

- Turn the wasabi face down, randomly select 10 of them, and then place one each of the randomly selected wasabi into 10 randomly selected pieces of sushi. (See Fig. 1)
- Mix up all of the sushi pieces and then build a sushi tower. (See Fig. 2)
- Decide which player will go first and then take turns going clockwise from that person.
- When it is your turn, remove 1 piece of sushi from any layer except the top layer and check to see if it contains wasabi! If it does not contain wasabi, stack that piece of sushi on the top of the tower. When stacking the sushi pieces, stack them in layers of 3 pieces while alternating the direction of each layer.



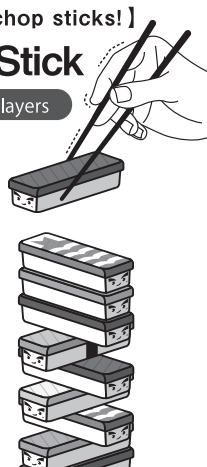
## 5 [Collect sushi pieces to create the most expensive menu!] Sushi Mahjong! 2 to 4 players

- Place 2 pieces of tuna and 2 pieces of squid sushi in front of you.
- Completely mix up the remaining sushi pieces, stack them in the middle of the players, and cover them with a handkerchief so they cannot be seen.
- Decide which player will go first and then take turns going clockwise from that person.
- You want to assemble one of the combinations shown on the Menu, so when it is your turn, take 1 piece of sushi from the center pile, and then place 1 piece of sushi that you do not need in the discard area.
- When you have assembled one of the Menus, shout out "One order served!" to show that you have created an order. If you want to try to create a more expensive order, you can continue playing without declaring an order.
- The game ends when someone declares an order. Compare the combinations everyone has made.
- Repeat the above 3 times. The person with the highest price total for their combinations wins.



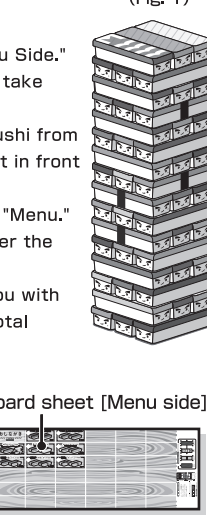
## 2 [Stack the sushi pieces using chop sticks!] Tower with Chop Stick 2 or more players

- Place 1 piece of tuna sushi in the center.
- Decide which player will go first and then take turns going clockwise from that person.
- When it is your turn, use chop sticks to pick up 1 piece of sushi and stack it on the top center of the piece of the top piece of sushi to build the tower.
- The person who knocks over the tower loses.



## 4 [Arrange the sushi to match the "Menu"! Menu Tower 2 to 6 players

- Build the sushi tower. (See Fig. 1)
- Layout the board sheet to show the "Menu Side." (See Fig. 1)
- Decide which player will go first and then take turns going clockwise from that person.
- When it is your turn, remove 1 piece of sushi from any layer except the top layer and place it in front of you.
- Create any combination you like from the "Menu."
- The game ends when someone knocks over the tower.
- Compare the pieces of sushi in front of you with the "Menu." The player with the highest total value wins.

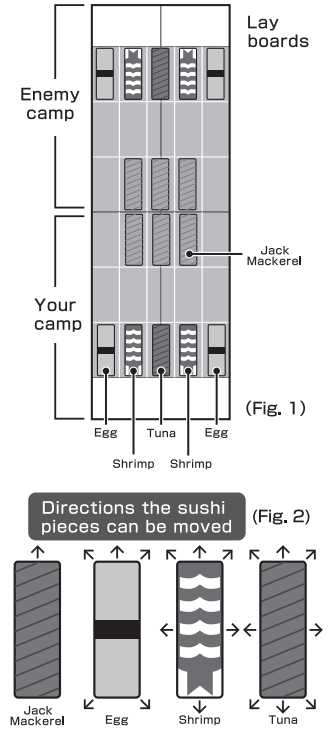


Tuna Tuna Tuna Tuna  
¥2,000 (Full of tuna)

Squid Mackerel Salmon Shrimp  
¥1,000 (Chef's choice sushi combination)

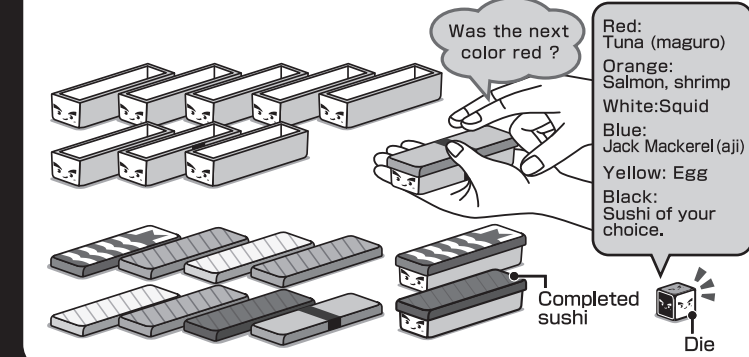
## 6 [Stand up the sushi and win the salmon egg battle!] Sushi Shogi 2 players

- Layout board sheet with "Shogi Side" facing up and put each player's sushi piece up on it. (See Fig. 1)
- Decide which player will go first and then when it is your turn, move 1 of your sushi pieces one square on the board. The direction in which a piece can be moved depends on what type of sushi it is. (See Fig. 2)
- If an enemy sushi piece is located in the square to which you move your sushi piece, you can capture that piece for your own. When it is your turn again, you can also place the captured piece on an empty square of the board.
- Players take turns moving their sushi pieces until one of the players has captured the other player's Tuna sushi to win.



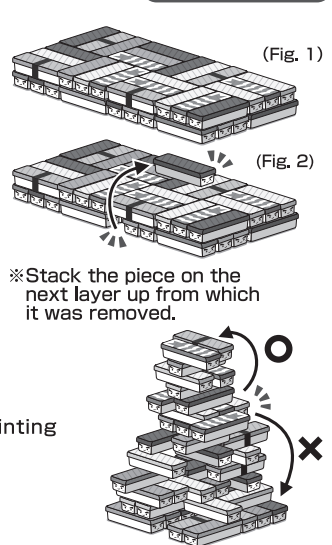
## 7 [Throw the die, remember the topping, and make the sushi!] Ordering Game 2 or more players

- Separate the topping from the rice of all the sushi pieces.
- Decide which player will go first and then take turns going clockwise from that person.
- When it is your turn, roll the die up to the number of times that you can remember the outcome. (Someone else should take notes of what the color was for each roll of the die.) In the order of the die rolls, make the sushi in the topping and rice combinations required by the resulting roll color. If you make a mistake, you are disqualified and must withdraw from the game.
- The next person must roll the die more times than the previous person and then make the sushi following the same rules.
- Repeat taking turns until only the winner is left.



## 8 [Remove and then randomly stack the sushi pieces!] Sushi Packing Puzzle 2 or more players

- Arrange the 48 pieces of sushi in a square 2 layers high. (See Fig. 1)
- Decide which player will go first and then take turns going clockwise from that person.
- When it is your turn, remove 1 sushi piece and stack it one layer higher than the layer from which you removed it. (See Fig. 2)
- The person who knocks over the tower loses.

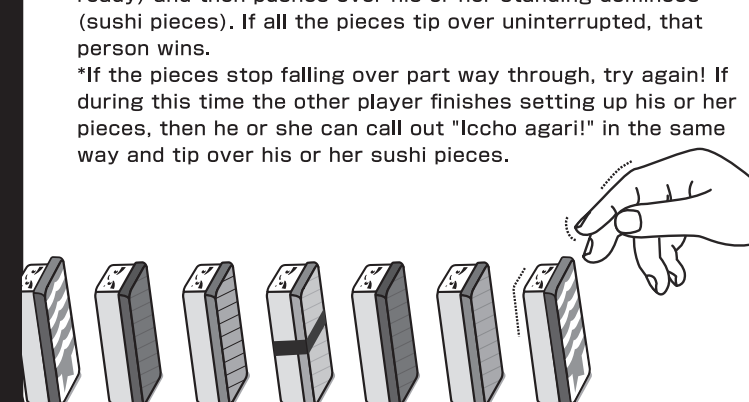


## 10 [High anxiety hidden wasabi penalty game!] Wasabi Russian Roulette 3 to 6 players

- Each player places a total of 6 pieces of sushi consisting of Tuna, Squid, Salmon, Jack Mackerel, Shrimp, Egg in front of them.
- Each player chooses one penalty game from among the wasabi and then, so the other players cannot see, places the wasabi into one of the sushi pieces in front of them.
- Decide which player will go first and then take turns going clockwise from that person.
- When it is your turn, you become the sushi bar "Taisho" (boss) and call out "Hei! O-machi!" (Here's the order you are waiting for!) and passes his 6 sushi pieces to the player to his or her left.
- The person who receives the sushi pieces selects 1 piece (2 pieces if there are 3 players) and then passes the remaining pieces to the player on his or her left. The Taisho receives any remaining pieces after all the players have removed a piece.
- After all players have taken a turn, everybody opens their sushi pieces. The person with the piece containing the wasabi must do the penalty game.
- The next person now becomes the Taisho and steps 4 to 6 are repeated.

## 9 [Quickly stand up the sushi pieces and then push them over like dominoes!] Sushi Dominoes 2 players

- Give each player 24 sushi pieces.
- Start by calling out "Hei rasshai!" (Welcome!). Then begin standing up and arranging the sushi pieces like dominoes.
- The person who finishes first calls out "Iccho agari!" (order ready) and then pushes over his or her standing dominoes (sushi pieces). If all the pieces tip over uninterrupted, that person wins.



(Example for 4 players)

Remove 1 piece of sushi and pass the rest to the next person.

Taisho's sushi

Taisho

The Taisho receives any remaining pieces after all the players have removed a piece.

When a game has been completed, the next person becomes the Taisho.

アイアップでは商品のアンケートを実施しております。より良い商品づくりのために皆様のご意見、ご感想をお聞かせください。アンケートにお答えいただいた方の中から抽選で商品をお送りいたします。

※パソコン・スマホからはご利用いただけません。  
※通信費等はお客様の負担になります。

Layup Design Labo ほんたにたのしい暮らしを  
株式会社 アイアップ  
東京都渋谷区渋谷1-5-7  
TEL.03(5467)5066  
http://www.eycup.co.jp/